

Type T5500 and T6500 All Welded Stainless Steel Process Pressure Gauge



T6500

T5500



- *Open or solid front design*
- *Dry, liquid filled or PLUS!™ Performance option.*
- *100mm or 160mm case size*
- *Weatherproof Protection IP66, NEMA 4X*
- *Optional ATEX approval CE Ex II 2 GDC.*
- *Monel wetted system optional*
- *100mm or 160mm case size*
- *Overload protection 130%*
- *Optional electrical contacts*

The Ashcroft® T5500 and T6500 all stainless steel process pressure gauge is one of the finest production gauges on the market for industrial use where precise indications are required. Industries served include chemical, petrochemical, power, machine, pulp, paper, food and beverage applications. The product line offers either open or solid front design depending on your safety requirements. These gauges are available with 100 or 160mm case sizes, stainless steel or Monel wetted systems and psi or metric pressure ranges.

PRODUCT SPECIFICATIONS

Model Number: T5500, T6500

Accuracy: Standard: Class 1, 1% full scale

Optional: ½% full scale

Ranges: Vacuum, compound, pressure
psi: -30in. Hg-0, 0-36,000
bar: -1-0, 0-2500

Dial Size: 100mm or 160mm diameter

Case Material: 304 stainless steel,
316 stainless steel optional
T5500: open front, rear
blowout disk
T6500: solid front, rear
blowout disk

Ring: 304 stainless steel
316 stainless steel optional

Window:	T5500: Standard: glass, Optional: laminated safety glass or acrylic T6500: Standard: laminated safety glass Optional: acrylic
Dial:	Aluminum, white background, black figures and intervals.
Pointer:	Standard: aluminum black Optional: adjustable micro- meter, red set hand, maximum pointer
Movement:	304/303 stainless steel
Bourdon Tube and Socket:	Standard: 316L stainless steel Optional: Monel
Connection Size:	¼ NPT male, ½ NPT male G ¼ B male, G ½ B male
Connection Location:	T5500: Lower or back T6500: Lower only
Weather Protection:	IP66 NEMA 4X, Weatherproof
Temperature:	Ambient: -40-200°F (-40-93°C) Process: Max. 200°F (93°C) dry Max. 212°F (100°C) liquid filled
Weight (dry/filled):	T5500: 2.0 (dry) 2.5 (liquid filled) T6500: 3.0 (dry) 4.5 (liquid filled)
Mounting:	Standard: stem Optional: flush or surface

OPTIONAL FEATURES

Fill: L-Glycerin-Standard
XGV-Silicone-Optional
XGX-Halocarbon-Optional

**PLUS!™
Performance:** XLL

**Shatter Proof
Glass Window:** XSG

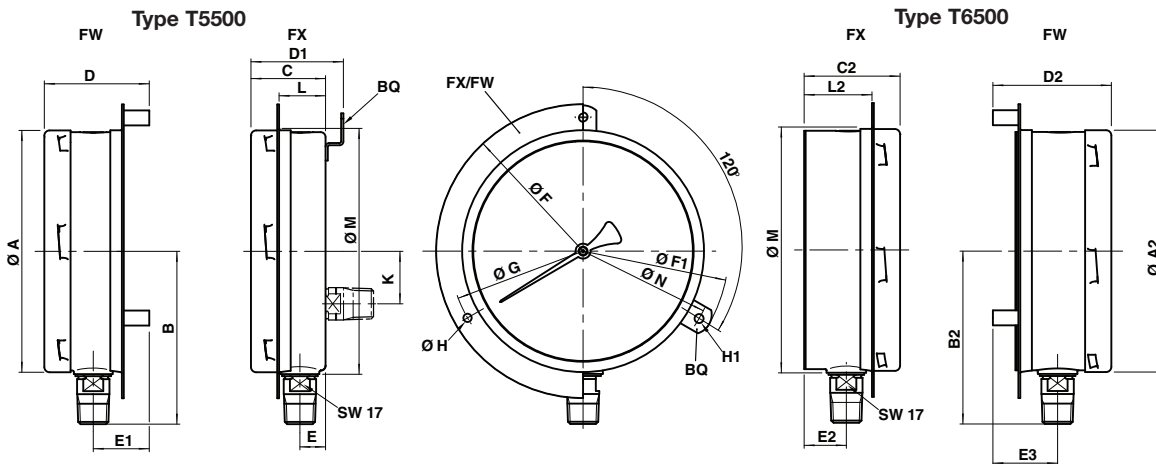
Acrylic Window: XPD

Set Hand: XSH

**Maximum
Pointer:** XEP

Type T5500 and T6500 All Welded Stainless Steel Process Pressure Gauge

Dimensions Drawings



T5500 Dimensions () are mm

DIAL SIZE	A	B	C	D	D1	E	E1	F	G	H	H1	K	L	M	N
100 mm	3.94 (101)	3.47 (89)	1.99 (51)	2.69 (69)	2.42 (62)	0.72 (18.5)	1.42 (36.5)	5.15 (132)	4.52 (116)	0.18 (4.5)	0.23 (6)	1.37 (35)	1.21 (33)	4.02 (103)	4.68 (119)
160 mm	6.32 (162)	4.60 (118)	1.91 (49)	2.73 (70)	2.30 (59)	0.66 (17)	1.48 (38)	7.64 (196)	6.94 (178)	0.20 (5.5)	0.23 (6)	1.37 (35)	1.21 (31)	6.40 (164)	6.98 (179)

T6500 Dimensions () are mm

DIAL SIZE	A2	B2	C2	D2	E2	E3	F	G	H	H1	L2	M	N
100 mm	3.94 (101)	3.47 (89)	2.38 (61)	2.96 (76)	1.01 (26)	1.60 (41)	5.15 (132)	4.52 (116)	0.18 (4.5)	0.31 (6)	1.64 (42)	4.02 (103)	4.64 (119)
160 mm	6.16 (158)	4.60 (118)	2.57 (66)	3.12 (80)	1.17 (30)	1.72 (44)	7.14 (183)	6.55 (168)	0.23 (6)	0.23 (6)	1.95 (50)	6.28 (161)	6.98 (179)

Order Coding Example

10	T5500	S	D	04	L	100	#	GV	NH
----	-------	---	---	----	---	-----	---	----	----

DIAL SIZE	TYPE	SYSTEM MATERIAL	CASE TYPE	PROCESS CONNECTION	CONNECTION LOCATION	RANGE psi	ENGINEERING UNITS	FILL*	OPTIONS
(10) 100mm	T5500	(S) 316L SS	(D) Dry	(02) ¼ NPT male ⁽¹⁾ (04) ½ NPT male ⁽¹⁾	(L) Lower (B) Back	0/15 0/30 0/60 0/100 0/160 0/200 0/300 0/400 0/600 0/800 0/1000 0/1500 0/2000 0/3000 0/5000 0/6000 0/10,000 0/15,000 0/20,000	PSI BAR	(GV) Silicone (GX) Halocarbon	(YW) Case material 316L (NH) Wire tag (TU) Throttle plug SS (6B) Oxygen cleaned (MP) Micrometer pointer (PD) Acrylic glass (SG) Safety glass (FX) Front flange (FW) Back flange (UF) U-clamp (LJ) Field fillable (AJ) Calibration 0.5% F.S.** (LL) PLUS™ Performance (NZ) PLUS™ Performance, silicon free (AT) Atex
(16) 160mm	T6500	(P) Monel 400	(L) Liquid	(13) G ¼ NPT B male (15) G ½ NPT B male				* Glycerin fill standard when liquid filled gauge is specified	

*Glycerin not available 30 psi and below (Silicone only)
 **System materials only. For liquid filled gauges >= 100 psi